

Areas of Rectangles & Triangles 1

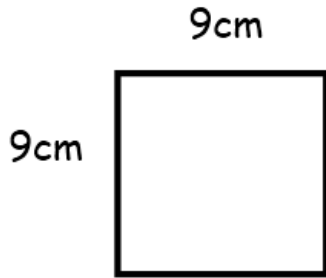
(By Multiplying the sides)

TransferReady.co.uk



Helping you get ready for the Transfer Test

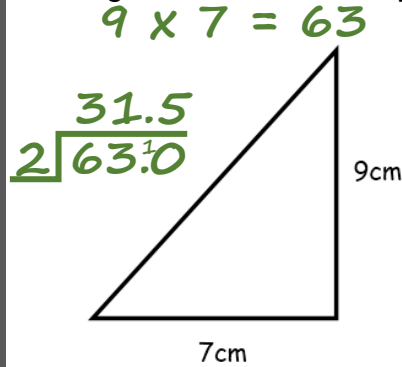
What is the area of the shape?



$$9 \times 9 = 81$$

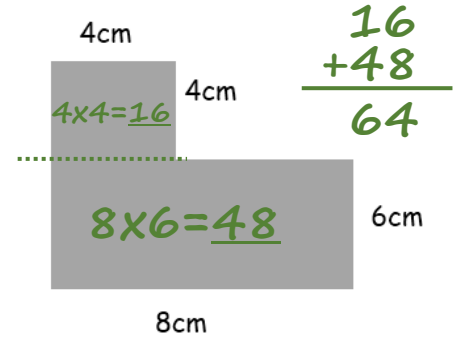
Answer 81 cm²

Find the area of this triangle.
(Hint: find the area of the rectangle then divide this by 2)



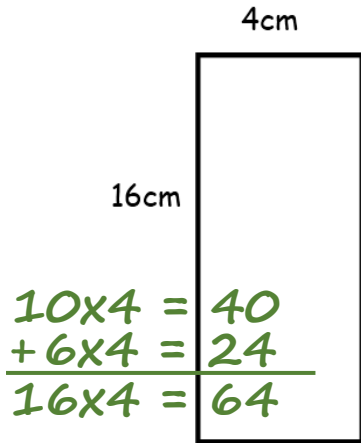
Answer 31.5 cm²

What is the area of this compound shape?



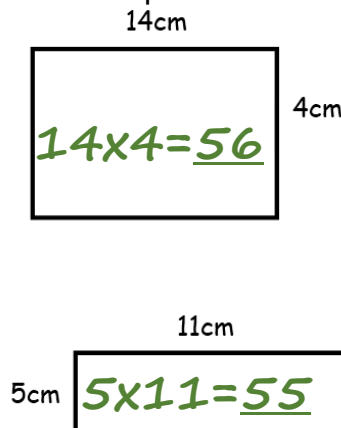
Answer 64 cm²

What is the area of this shape?



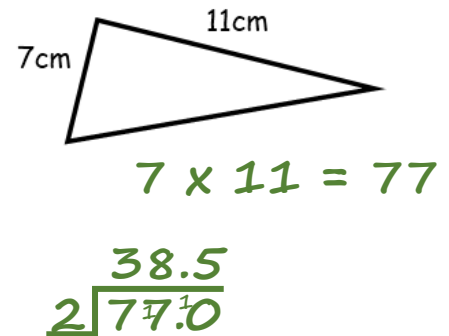
Answer 64 cm²

What is the sums of the areas of these two shapes?



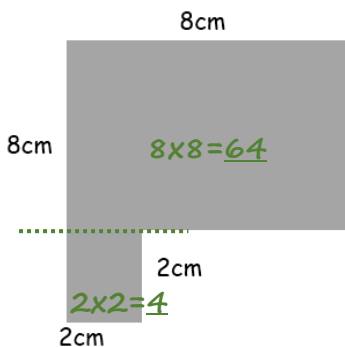
Answer 111 cm²

What is the area of the shape?



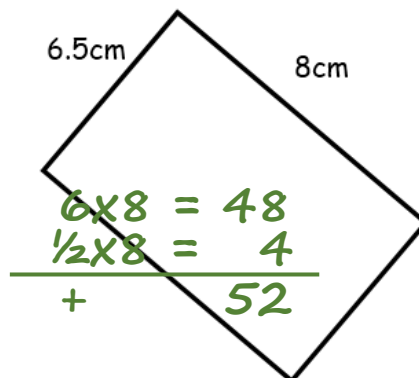
Answer 38.5 cm²

What is the area of this compound shape?



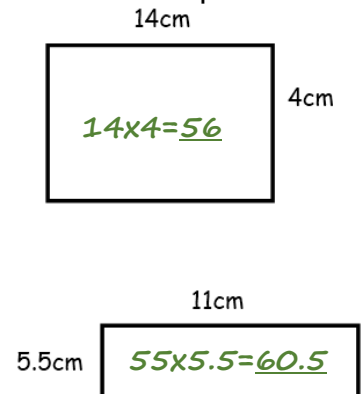
Answer 68 cm²

What is the area of the shape?



Answer 52 cm²

What is the sums of the areas of these two shapes?



Answer 116.5 cm²