

Perimeters of Compound Shapes 1

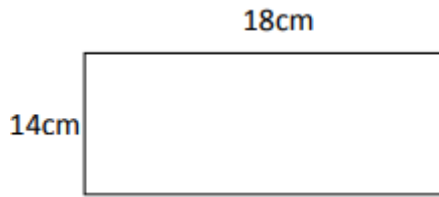
(with lengths of sides)

TransferReady.co.uk



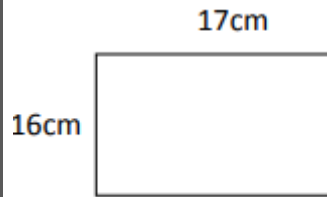
Helping you get ready for the Transfer Test

1.



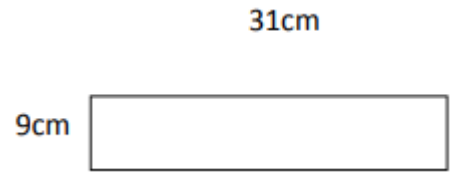
Answer _____ cm

2.



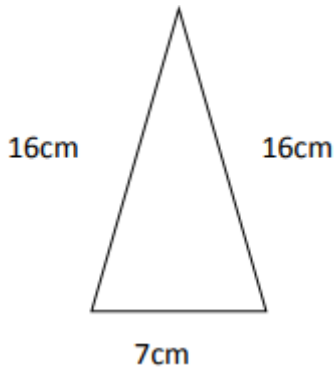
Answer _____ cm

3.



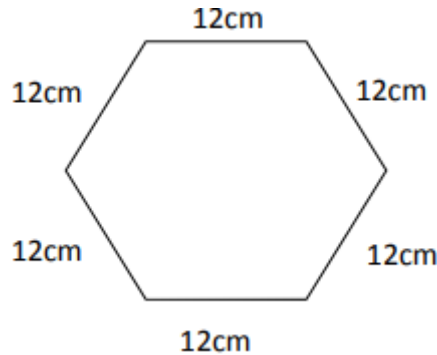
Answer _____ cm

4.



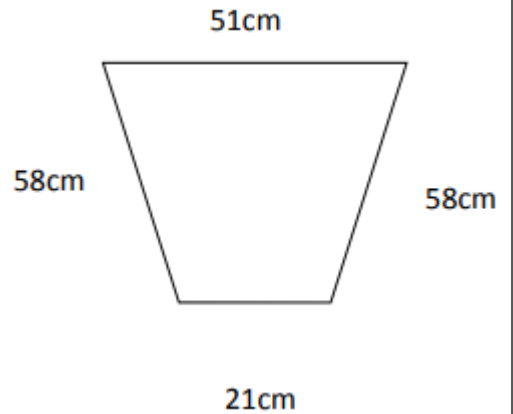
Answer _____ cm

5.



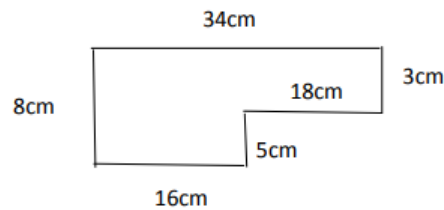
Answer _____ cm

6.



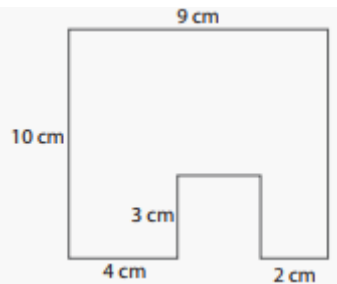
Answer _____ cm

7.



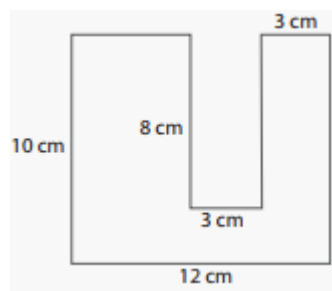
Answer _____ cm

8.



Answer _____ cm

9.



Answer _____ cm