

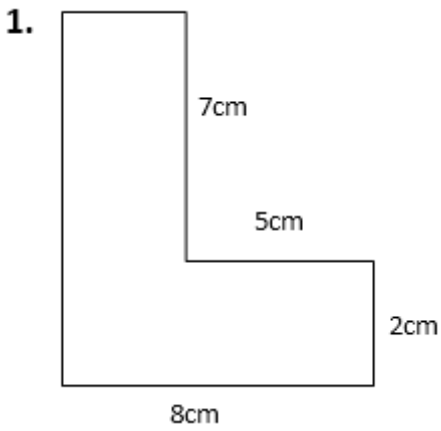
Perimeters of Compound Shapes 2

(with lengths of sides)

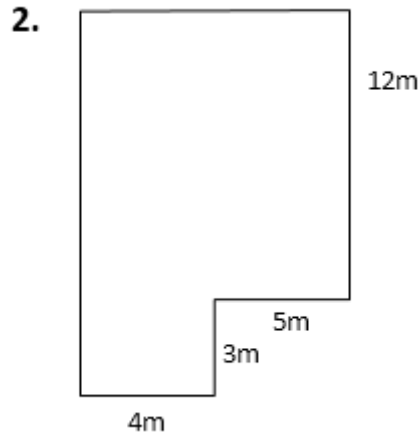
TransferReady.co.uk



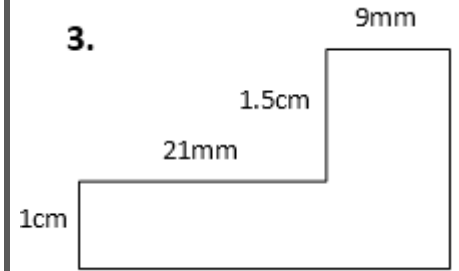
Helping you get ready for the Transfer Test



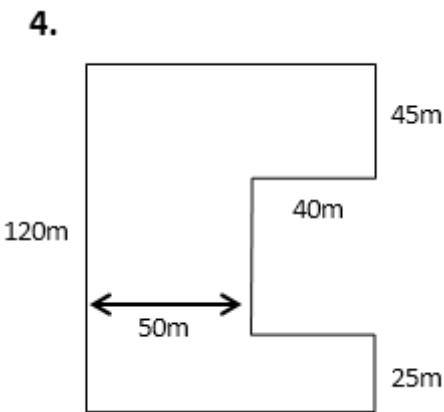
Answer 34 cm



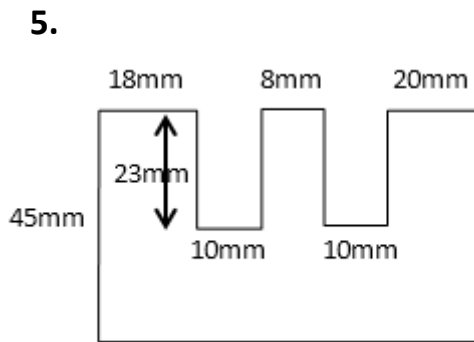
Answer 48 m



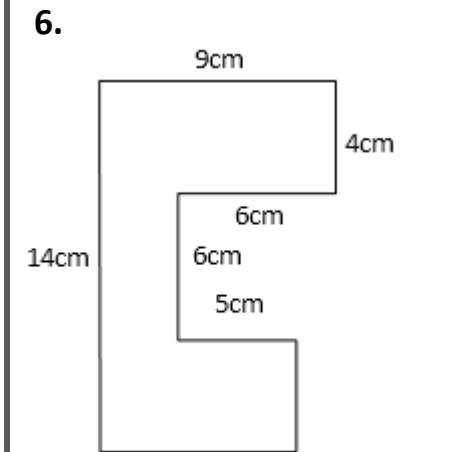
Answer 110 mm



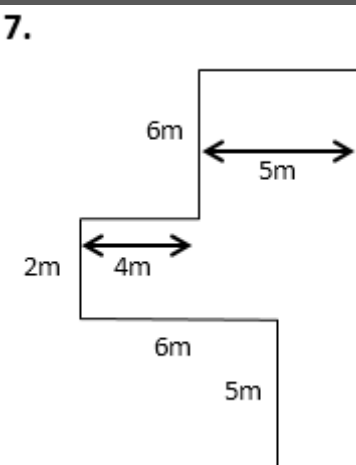
Answer 500 m



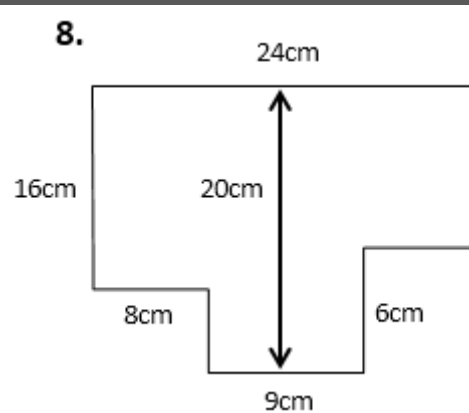
Answer 314 mm



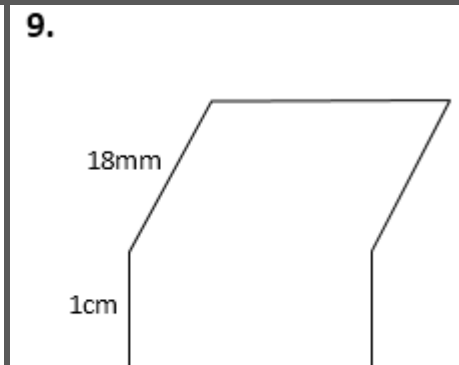
Answer 56 cm



Answer 44 m



Answer 88 cm



(This shape is made from a rectangle and a parallelogram)

Answer 100 mm