

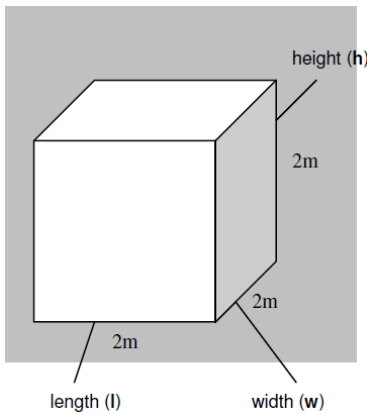
# Volumes of Cuboids - with units

(Hint: volume =  $l \times w \times h$ )

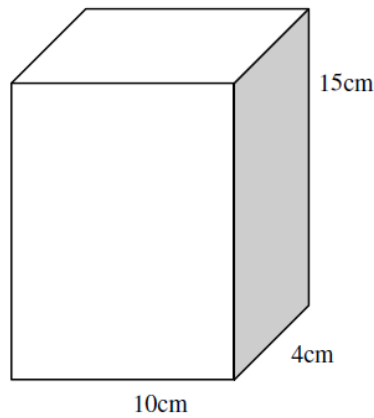
TransferReady.co.uk



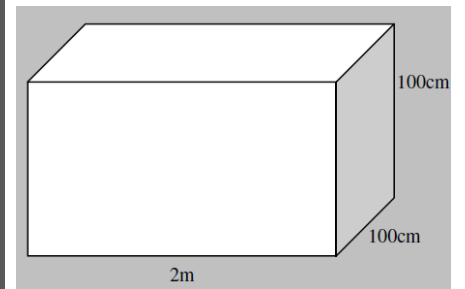
Helping you get ready  
for the Transfer Test



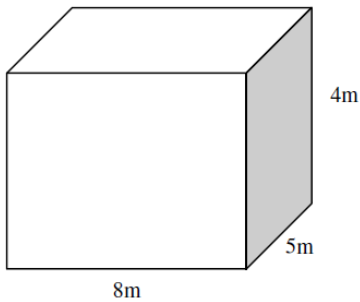
Answer \_\_\_\_\_  $m^3$



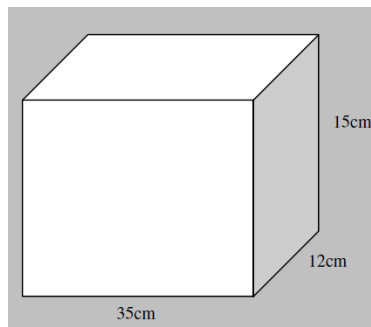
Answer \_\_\_\_\_  $cm^3$



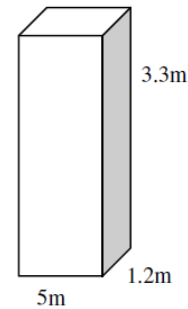
Answer \_\_\_\_\_  $m^3$



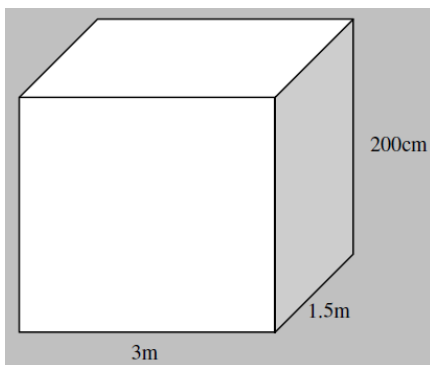
Answer \_\_\_\_\_  $m^3$



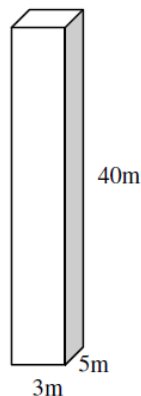
Answer \_\_\_\_\_  $cm^3$



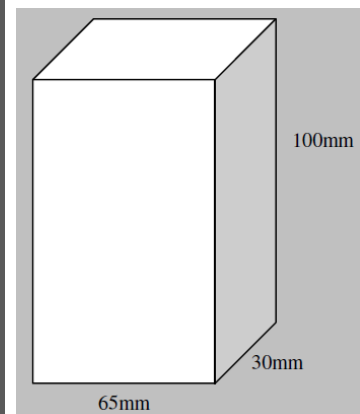
Answer \_\_\_\_\_  $m^3$



Answer \_\_\_\_\_  $m^3$



Answer \_\_\_\_\_  $m^3$



Answer \_\_\_\_\_  $cm^3$