

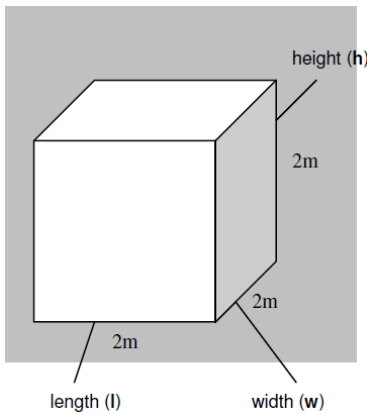
# Volumes of Cuboids - with units

(Hint: volume =  $l \times w \times h$ )

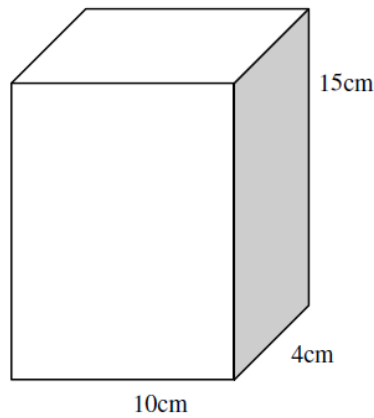
TransferReady.co.uk



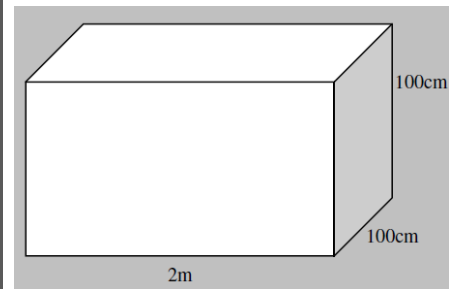
Helping you get ready  
for the Transfer Test



Answer 8 m<sup>3</sup>



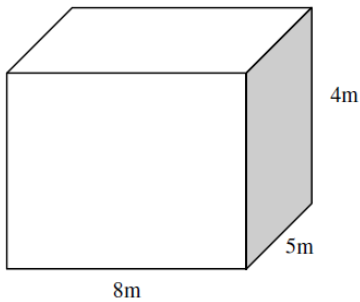
Answer 600 cm<sup>3</sup>



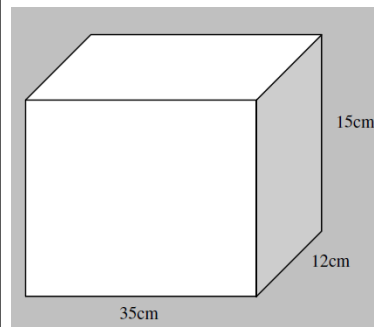
Note:

$$100\text{cm} = 1\text{m}$$

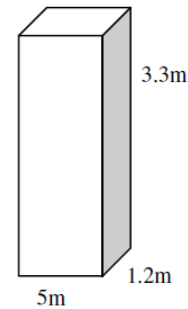
Answer 2 m<sup>3</sup>



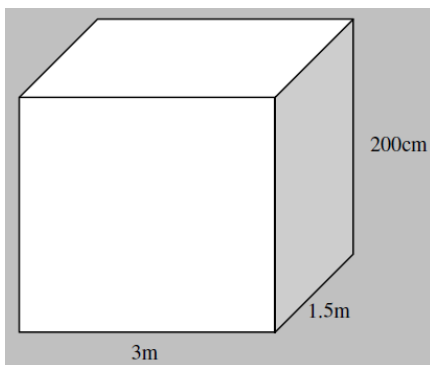
Answer 160 m<sup>3</sup>



Answer 6300 cm<sup>3</sup>

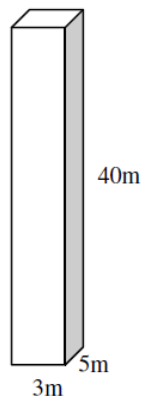


Answer 19.8 m<sup>3</sup>

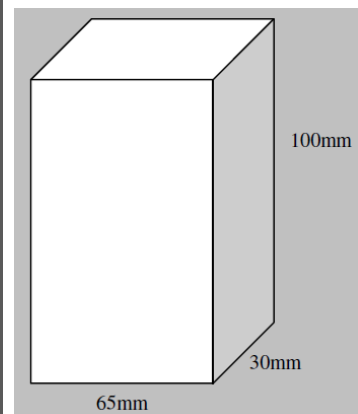


Remember to convert to m!

Answer 9 m<sup>3</sup>



Answer 600 m<sup>3</sup>



Remember to convert to cm!

Answer 195 cm<sup>3</sup>